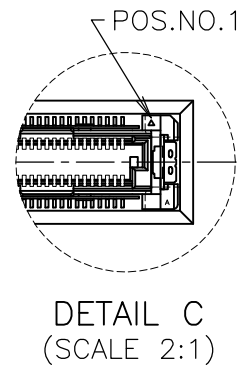
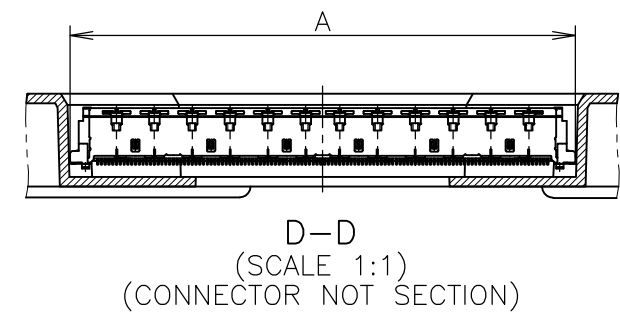
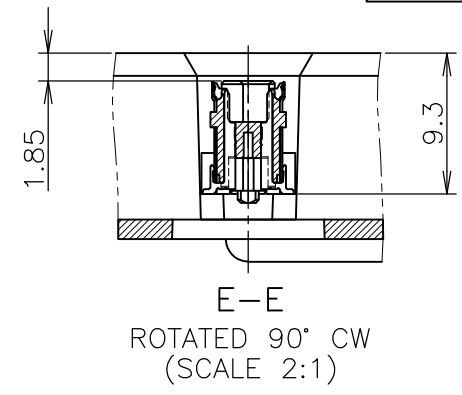
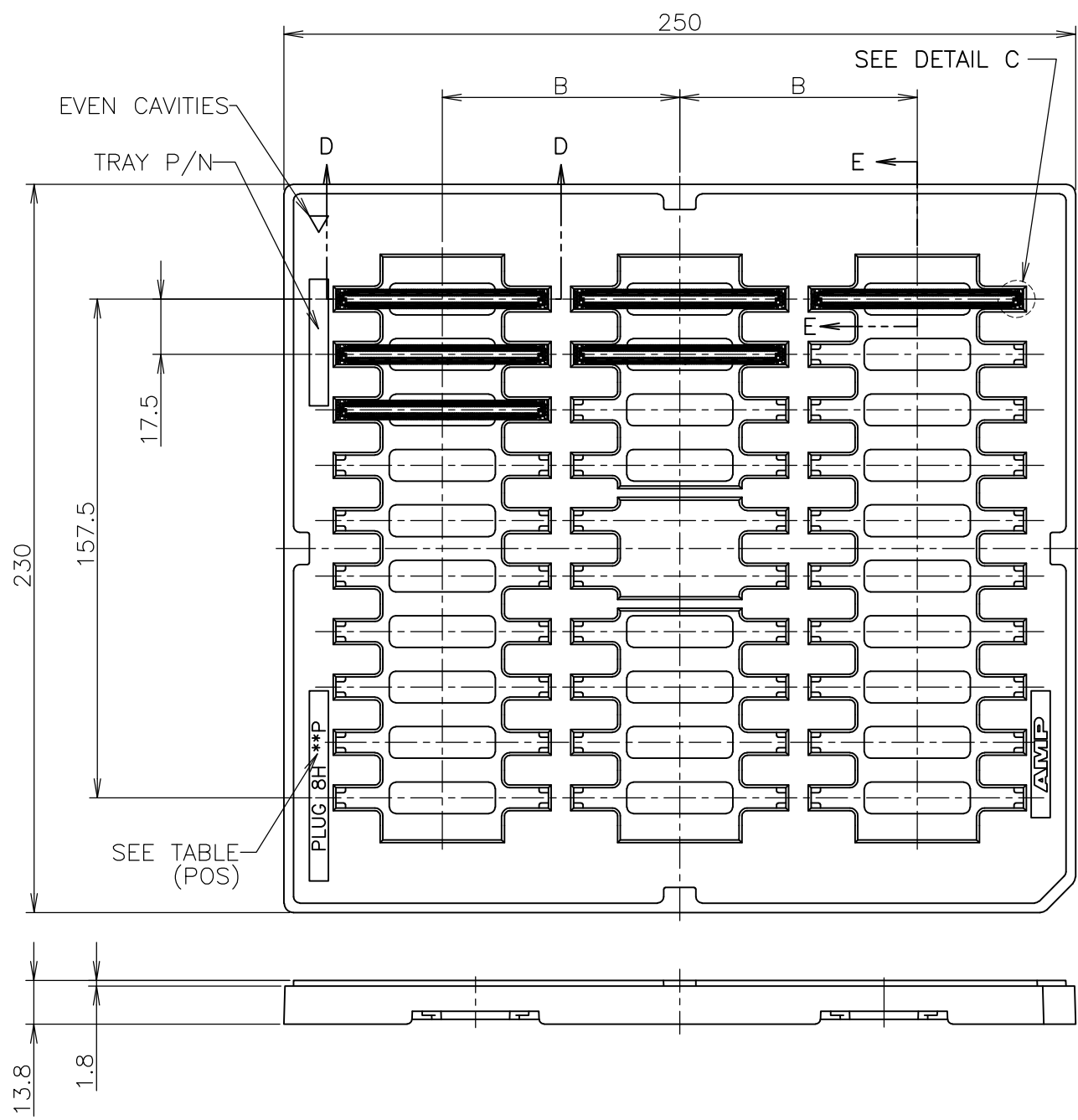


THIS DRAWING IS UNPUBLISHED. RELEASED FOR PUBLICATION MAR, 1999.
 © COPYRIGHT 1999 BY TYCO ELECTRONICS CORPORATION. ALL INTERNATIONAL RIGHTS RESERVED.

LOC	DIST	REVISIONS			DATE	DWN	APVD
J		P	LTR	DESCRIPTION			
		A	REVISED	ECR-10-004589	02MAR2010	T.T	T.M

-1318491-; AS SHOWN



HOUSING COLOR	SEALANT	TOOLING STATUS	ROW	QTY	B	A	POS.	TRAY P/N	PART NO.
BLACK	SEALANT	NOT ABAILABLE	3	30	↑	66.8	240	8-1318491-7	
		AVAILABLE	↑	↑		61.8	220	4-912076-6	8- -6
		NOT ABAILABLE			75	56.8	200		8- -5
					70	51.8	180		8- -4
						49.3	170		8- -3
						46.8	160		8- -2
						44.3	150		8- -1
						41.8	140		8- -0
			3	30	70	36.8	120		7- -9
			5	50	43	31.8	100		7- -8
NON SEALANT	NON SEALANT	NOT ABAILABLE	5	50	43	14.3	30	7-1318491-1	
		NOT ABAILABLE	3	30	↑	66.8	240	3-1318491-7	
		PRELIMINARY	↑	↑		61.8	220	4-912076-6	3- -6
		NOT ABAILABLE			75	56.8	200		3- -5
					70	51.8	180		3- -4
						49.3	170		3- -3
						46.8	160		3- -2
						44.3	150		3- -1
						41.8	140		3- -0
			3	30	70	36.8	120		2- -9
		5	50	43	31.8	100		2- -8	
					29.3	90		2- -7	
					26.8	80		2- -6	
					24.3	70		2- -5	
					21.8	60		2- -4	
					19.3	50		2- -3	
					16.8	40		2- -2	
		NOT ABAILABLE	5	50	43	14.3	30	2-1318491-1	

- ⚠ MATERIAL; HOUSING: HIGH TEMP THERMO PLASTIC UL94V-0
CONTACT: COPPER ALLOY
SOLDER PEG: COPPER ALLOY
- ⚠ FINISH; SIGNAL CONTACT: UNDER PL Ni 0.0013mm MIN ALL OVER.
CONTACT AREA 0.0002mm MIN Au PL.
SOLDERING AREA 0.001mm MIN Sn-Pb PL.
GROUND CONTACT: UNDER PL Ni 0.0013mm MIN ALL OVER.
CONTACT AREA 0.0002mm MIN Au PL.
SOLDERING AREA 0.001mm MIN Sn-Pb PL.
SOLDER PEG: 0.001mm MIN Sn-Pb PL. OVER
0.0013mm MIN Ni PL ALL OVER.
- ⚠ THIS POSITION IS GROUND CIRCUIT.
- ⚠ THIS PRODUCT WAS COATED BY FLUX - PENETRATION -INHIDITING AGENT.
SF COAT: SFE-720R (P/N: 1915310-1)

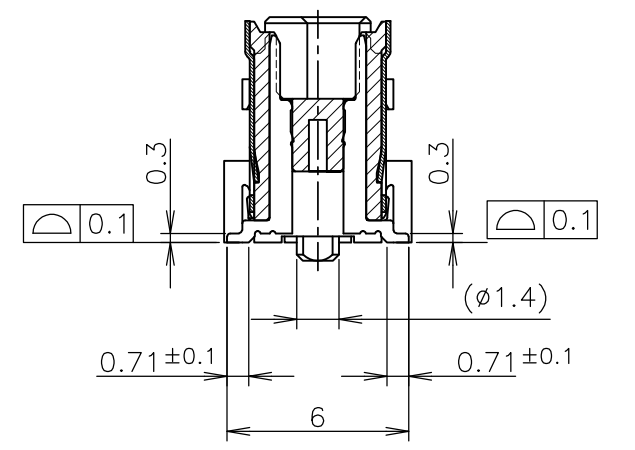
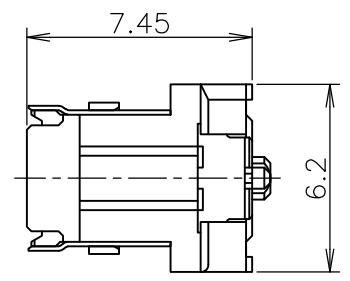
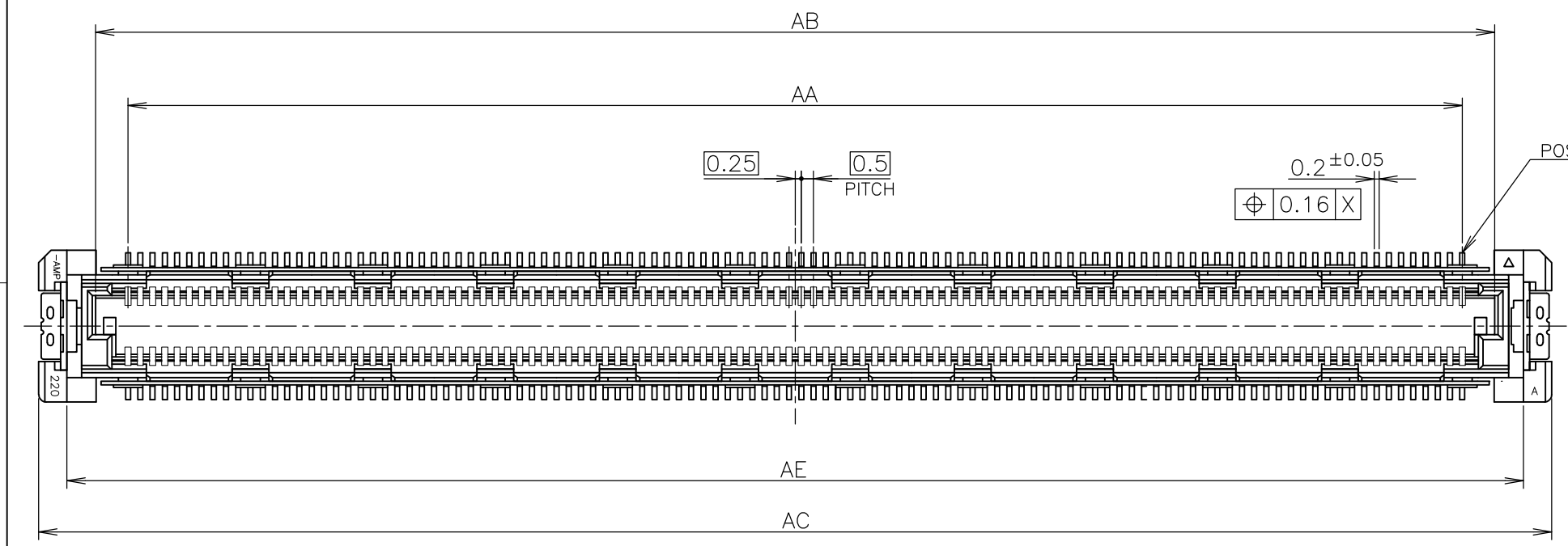
THIS DRAWING IS A CONTROLLED DOCUMENT.

DIMENSIONS: 単位: 耗 mm	TOLERANCES UNLESS OTHERWISE SPECIFIED: 一般公差	DWN N.SASAME 12MAR1999	Tyco Electronics Corporation Kawasaki, Japan
	0 PLC ± 0.3 1 PLC ± 0.3 2 PLC ± 0.3 3 PLC ± 0.3 4 PLC ANGLES ± 0.3 FINISH 仕上	CHK S.ABE 15MAR1999	
		APVD T.YAMADA 15MAR1999	
MATERIAL 材料	FINISH 仕上	NAME 名称 T.YAMADA PRODUCT SPEC 製品規格 108-5560 APPLICATION SPEC 取付適用規格	HARD TRAY ASSY FH 0.5 BTB CONNECTOR PLUG 8H WITH G-PLATE
		WEIGHT	SIZE A3 CAGE CODE 00779 DRAWING NO. G-1318491 RESTRICTED TO

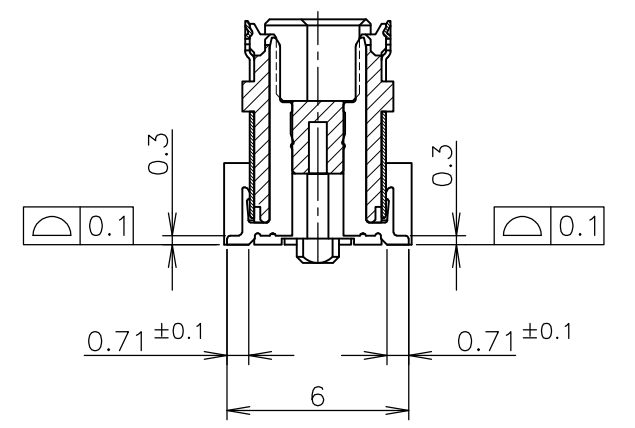
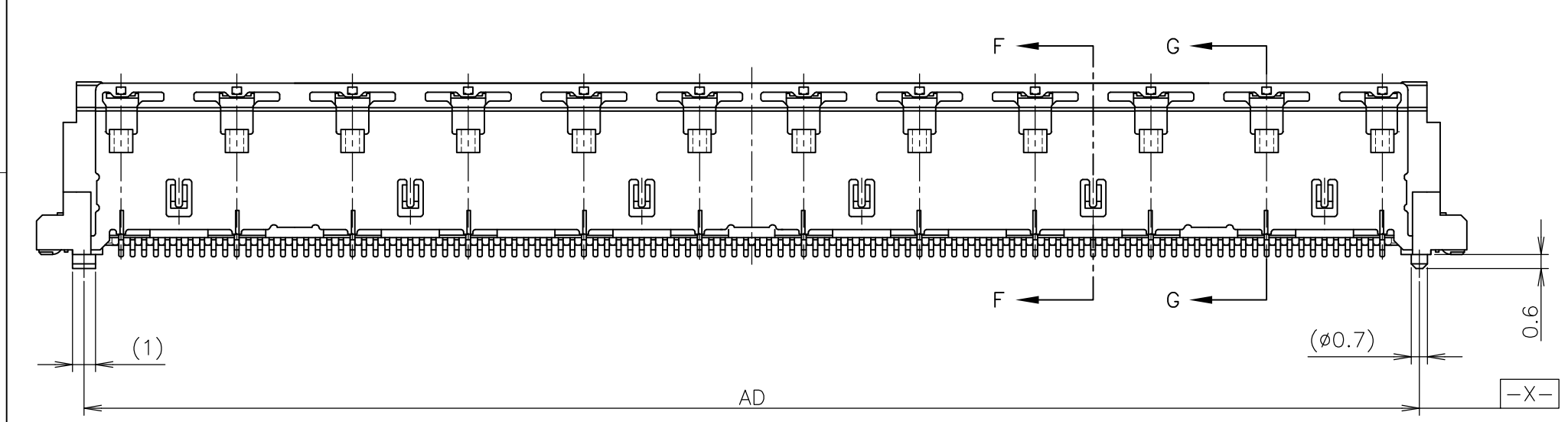
CUSTOMER DRAWING SCALE 1:2 SHEET 1 OF 4 REV A

THIS DRAWING IS UNPUBLISHED. RELEASED FOR PUBLICATION MAR , 1999.
 © COPYRIGHT 1999 BY TYCO ELECTRONICS CORPORATION. ALL INTERNATIONAL RIGHTS RESERVED.

LOC	DIST	REVISIONS		
J	/	P	LTR	DESCRIPTION
		-		SEE SHEET 1
				DATE
				DWN
				APVD



F-F
(SIGNAL POSITION)



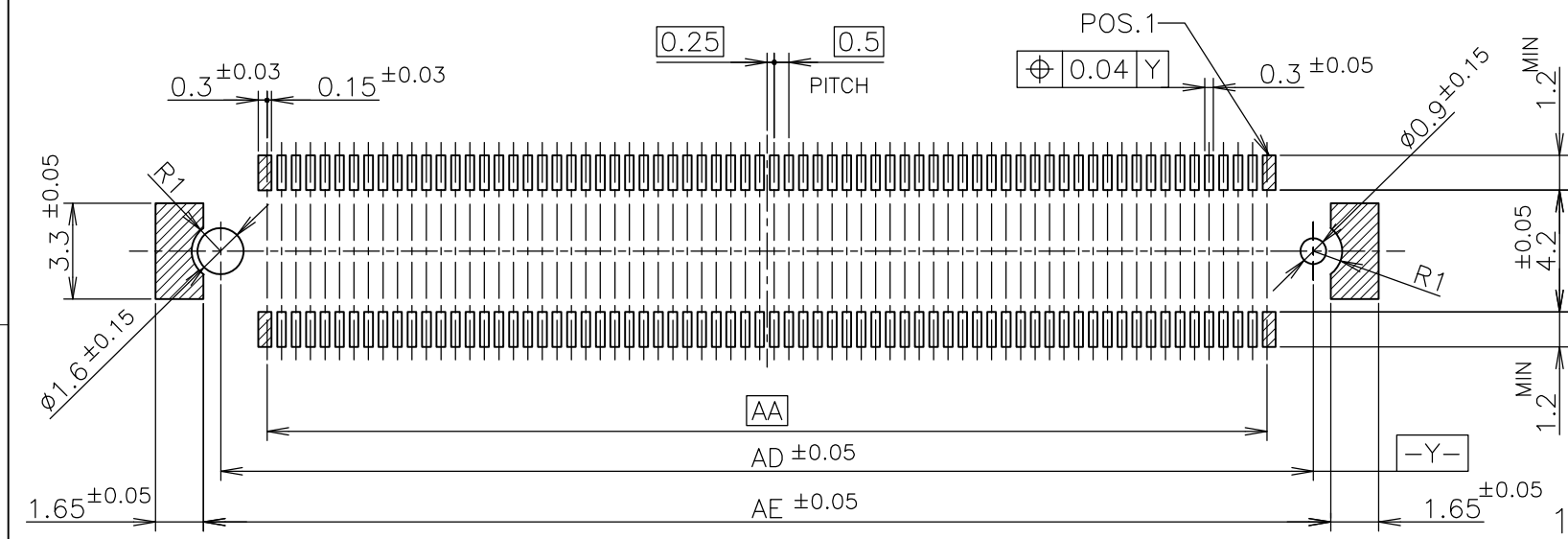
G-G
(GROUND POSITION)

64.5	62.7	66.8	62.1	59.5	240
59.5	57.7	61.8	57.1	54.5	220
54.5	52.7	56.8	52.1	49.5	200
49.5	47.7	51.8	47.1	44.5	180
47	45.2	49.3	44.6	42	170
44.5	42.7	46.8	42.1	39.5	160
42	40.2	44.3	39.6	37	150
39.5	37.7	41.8	37.1	34.5	140
34.5	32.7	36.8	32.1	29.5	120
29.5	27.7	31.8	27.1	24.5	100
27	25.2	29.3	24.6	22	90
24.5	22.7	26.8	22.1	19.5	80
22	20.2	24.3	19.6	17	70
19.5	17.7	21.8	17.1	14.5	60
17	15.2	19.3	14.6	12	50
14.5	12.7	16.8	12.1	9.5	40
12	10.2	14.3	9.6	7	30
AE	AD	AC	AB	AA	POS.

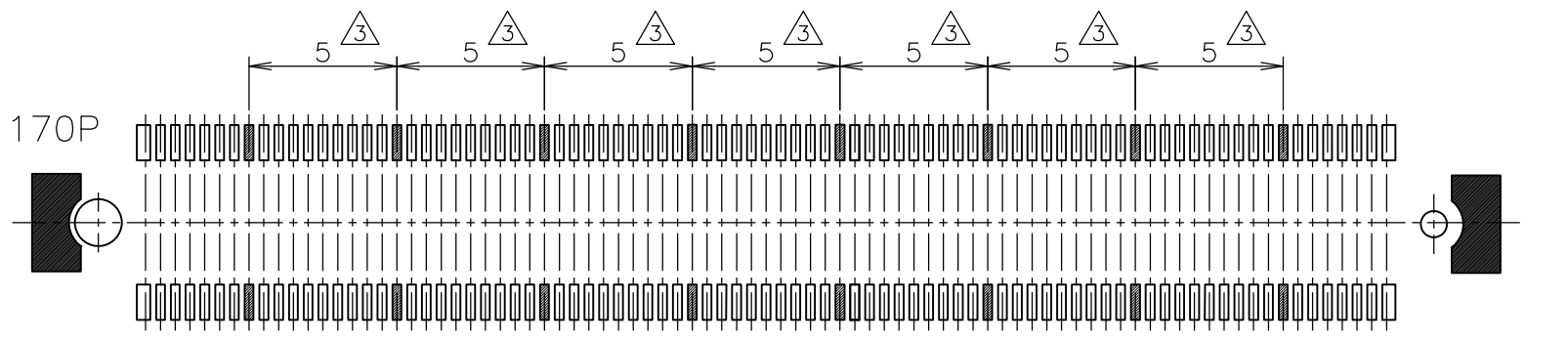
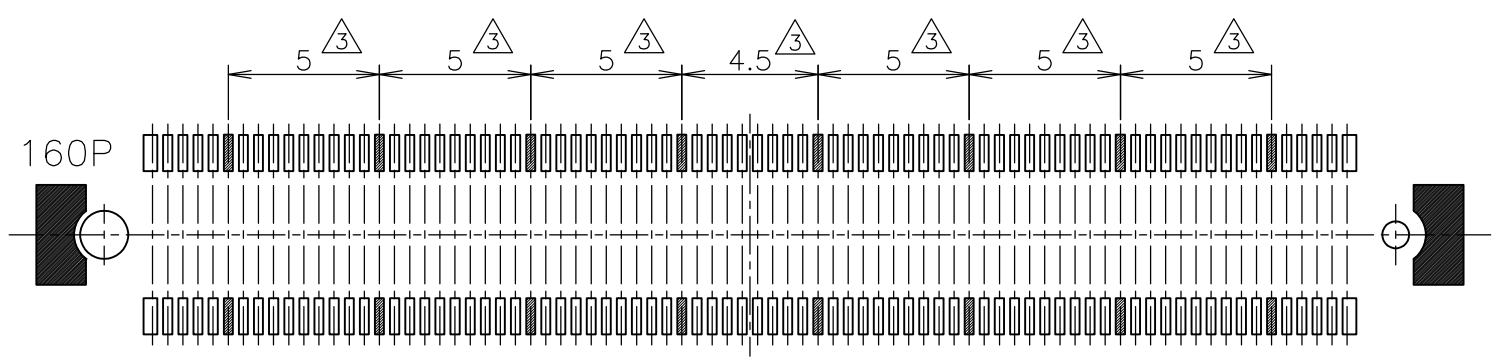
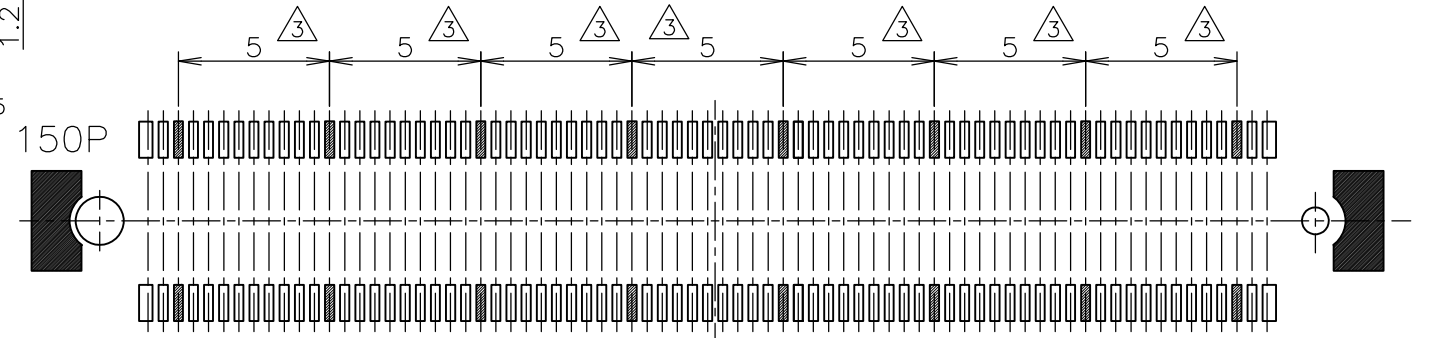
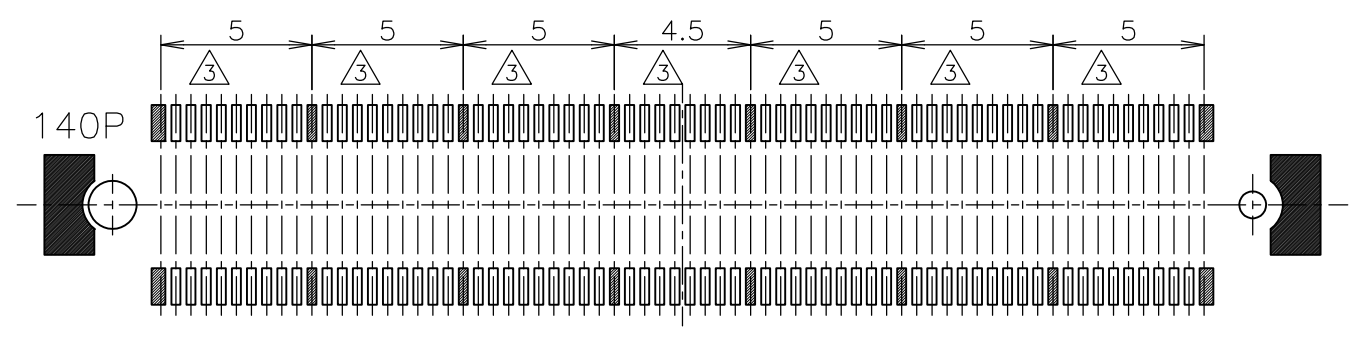
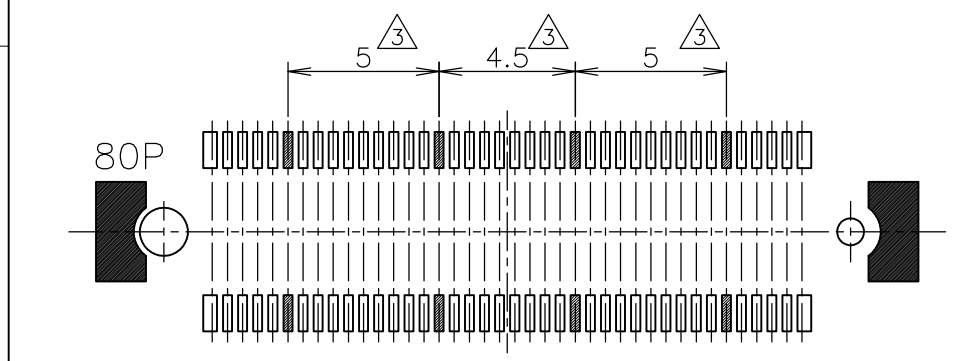
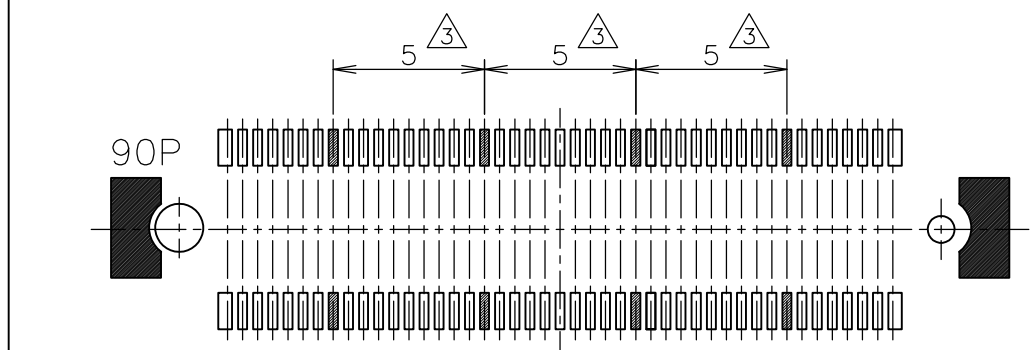
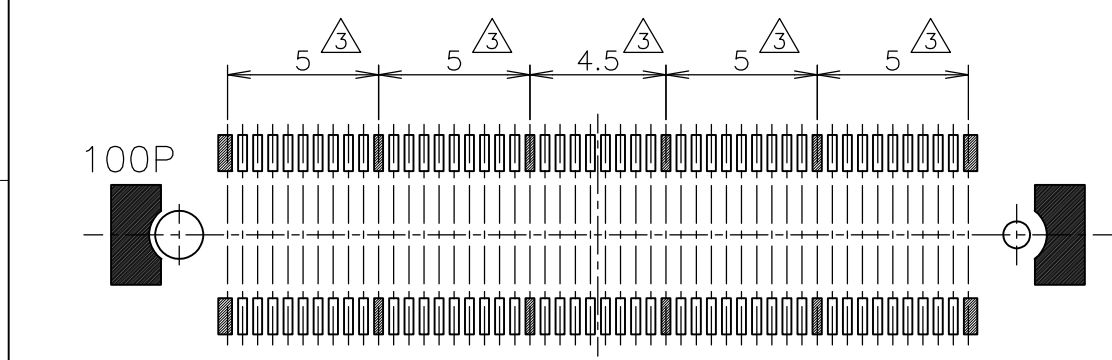
THIS DRAWING IS A CONTROLLED DOCUMENT.		DWN	Tyco Electronics Corporation Kawasaki, Japan		
DIMENSIONS: 単位: 耗 mm		CHK	NAME 名称		
TOLERANCES UNLESS OTHERWISE SPECIFIED: 一般公差		APVD	HARD TRAY ASSY FH 0.5 BTB CONNECTOR PLUG 8H WITH G-PLATE		
0 PLC ± 0.3		PRODUCT SPEC 製品規格	SIZE	CAGE CODE	DRAWING NO 番号
1 PLC ± 0.3		APPLICATION SPEC 取付適用規格	A3	00779	G-1318491
2 PLC ± 0.3		WEIGHT	RESTRICTED TO		
3 PLC ± 0.3		CUSTOMER DRAWING			
4 PLC ± 0.3		SCALE 尺度 4:1		SHEET 2 OF 4	REV A
ANGLES ± 3'					
MATERIAL 材料	FINISH 仕上				

THIS DRAWING IS UNPUBLISHED. RELEASED FOR PUBLICATION MAR, 1999.
 © COPYRIGHT 1999 BY TYCO ELECTRONICS CORPORATION. ALL INTERNATIONAL RIGHTS RESERVED.

LOC	DIST	REVISIONS			DATE	DWN	APVD
		P	LTR	DESCRIPTION			
J	/	-	-	SEE SHEET 1	-	-	-



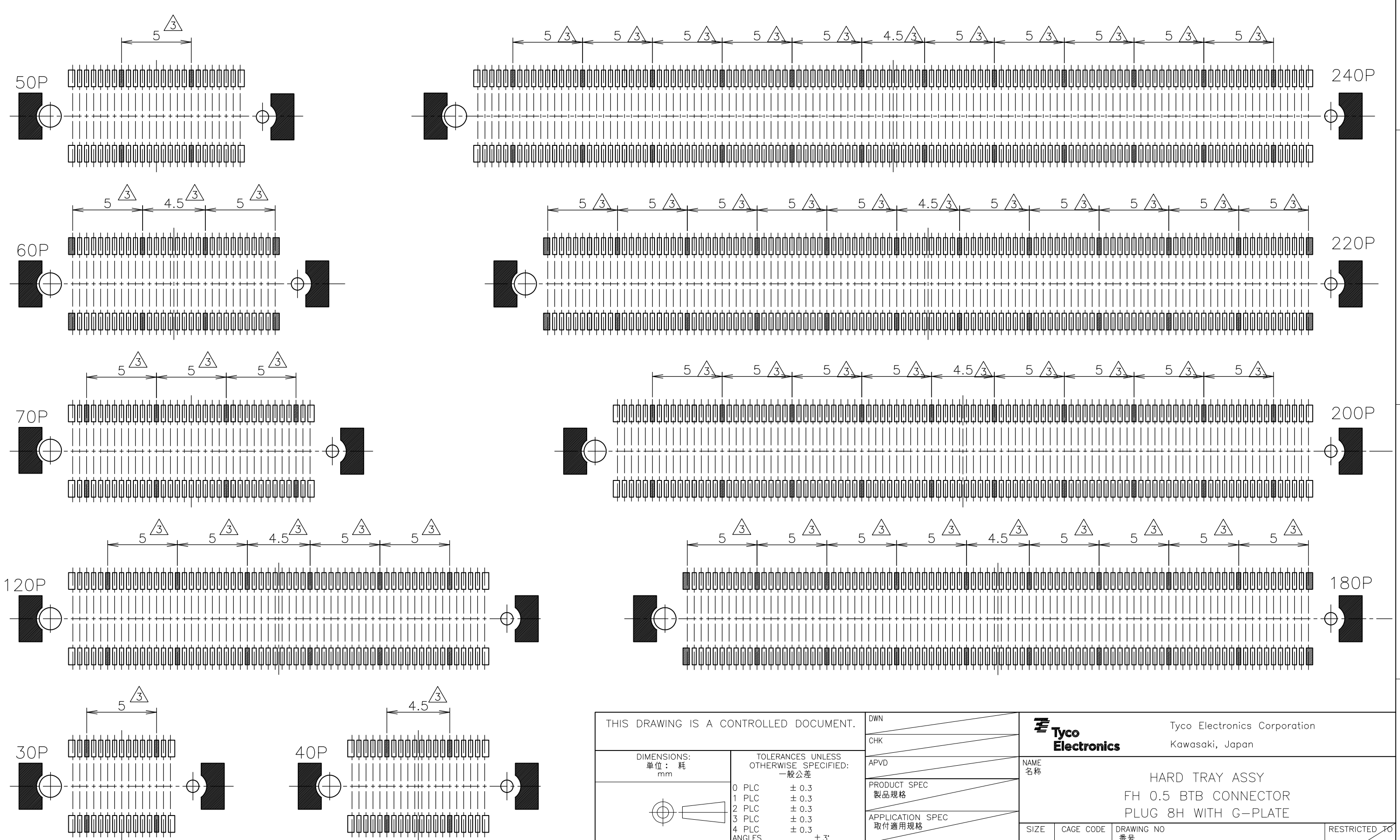
参考基板取付寸法
REFERENCE P.C. BOARD LAYOUT



THIS DRAWING IS A CONTROLLED DOCUMENT.		DWN	Tyco Electronics Corporation Kawasaki, Japan	
DIMENSIONS: 単位: 耗 mm		CHK	NAME 名称	
TOLERANCES UNLESS OTHERWISE SPECIFIED: 一般公差		APVD	HARD TRAY ASSY FH 0.5 BTB CONNECTOR PLUG 8H WITH G-PLATE	
0 PLC ± 0.3		PRODUCT SPEC 製品規格	SIZE	CAGE CODE
1 PLC ± 0.3		APPLICATION SPEC 取付適用規格	A3	00779
2 PLC ± 0.3		WEIGHT	DRAWING NO 番号	
3 PLC ± 0.3		CUSTOMER DRAWING	G-1318491	
4 PLC ± 0.3			SCALE 尺度	SHEET
ANGLES ± 3'		4:1		3 OF 4
MATERIAL 材料	FINISH 仕上	RESTRICTED TO		
△	△	A		

THIS DRAWING IS UNPUBLISHED. RELEASED FOR PUBLICATION MAR , 1999.
 © COPYRIGHT 1999 BY TYCO ELECTRONICS CORPORATION. ALL INTERNATIONAL RIGHTS RESERVED.

LOC J	DIST /	REVISIONS 変更			DATE	DWN	APVD
P	LTR	DESCRIPTION					
	-	SEE SHEET 1		-	-	-	



THIS DRAWING IS A CONTROLLED DOCUMENT.		DWN	Tyco Electronics Corporation Kawasaki, Japan	
DIMENSIONS: 単位: 耗 mm		CHK	NAME 名称	
TOLERANCES UNLESS OTHERWISE SPECIFIED: 一般公差		APVD	HARD TRAY ASSY FH 0.5 BTB CONNECTOR PLUG 8H WITH G-PLATE	
0 PLC ± 0.3		PRODUCT SPEC 製品規格	SIZE	CAGE CODE
1 PLC ± 0.3		APPLICATION SPEC 取付適用規格	A3	00779
2 PLC ± 0.3		WEIGHT	DRAWING NO 番号	
3 PLC ± 0.3		CUSTOMER DRAWING	G-1318491	
4 PLC ± 0.3			SCALE 尺度	SHEET
ANGLES ± 3'			4:1	4 OF 4
MATERIAL 材料	FINISH 仕上		RESTRICTED TO	REV
△	△		-	A